

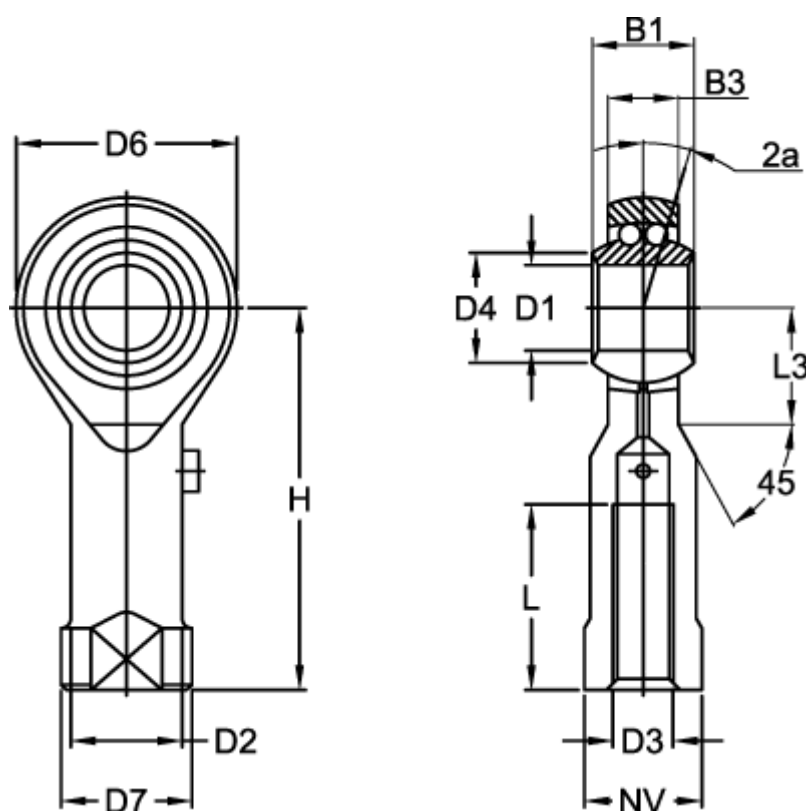
Data Sheet



Article number: 03706012

Description: Fluro rod end BRF 12
with ball bearing

Measures



Angel 2a = 7.5

B1 = 16

B3 = 12.00

D1 = 12

D2 = 17.5

D3 = M12x1,75

D4 = 14.5

D6 = 32

D7 = 22

Dynamic load C (N) = 4950

H = 50

L = 22

L3 = 16

Max rpm = 1125

NV = 19

Static load (N) = 1800

Weight (kg) = 0.107